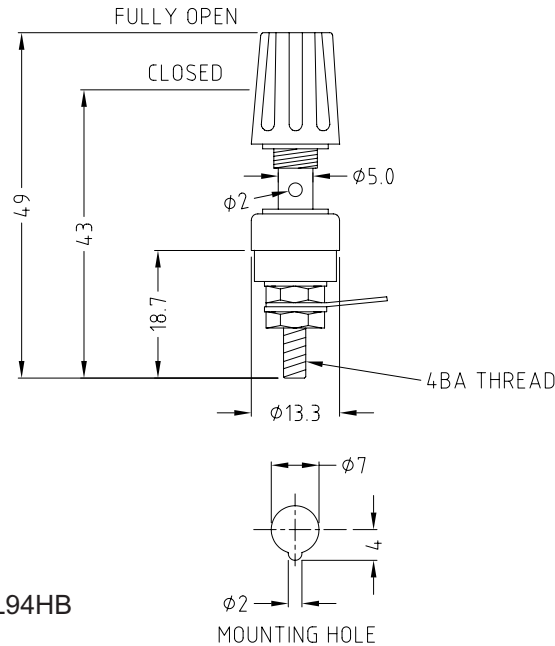


CLIFF

TERMINAL SERIES TP/1



Current Rating: 15A.
Flammability: Min UL94HB

Unassembled parts come with top and bottom insulators, nuts and washers bulk packed.



CL1505 - TP/1 BLACK
ASSEMBLED

CL1505U - TP/1 BLACK
UNASSEMBLED



CL1508 - TP/1 GREEN
ASSEMBLED

CL1508U - TP/1 GREEN
UNASSEMBLED



CL1506 - TP/1 RED
ASSEMBLED

CL1506U - TP/1 RED
UNASSEMBLED



CL1509 - TP/1 WHITE
ASSEMBLED

CL1509U - TP/1 WHITE
UNASSEMBLED



CL1507 - TP/1 BLUE
ASSEMBLED

CL1507U - TP/1 BLUE
UNASSEMBLED



CL1512 - TP/1 YELLOW
ASSEMBLED

CL1512U - TP/1 YELLOW
UNASSEMBLED

All models can be supplied with either gold or nickel plated finish. Customised versions available dependant on MOQ's.

For further information, contact: sales@jprelec.co.uk